


# PRODUCT SHEET

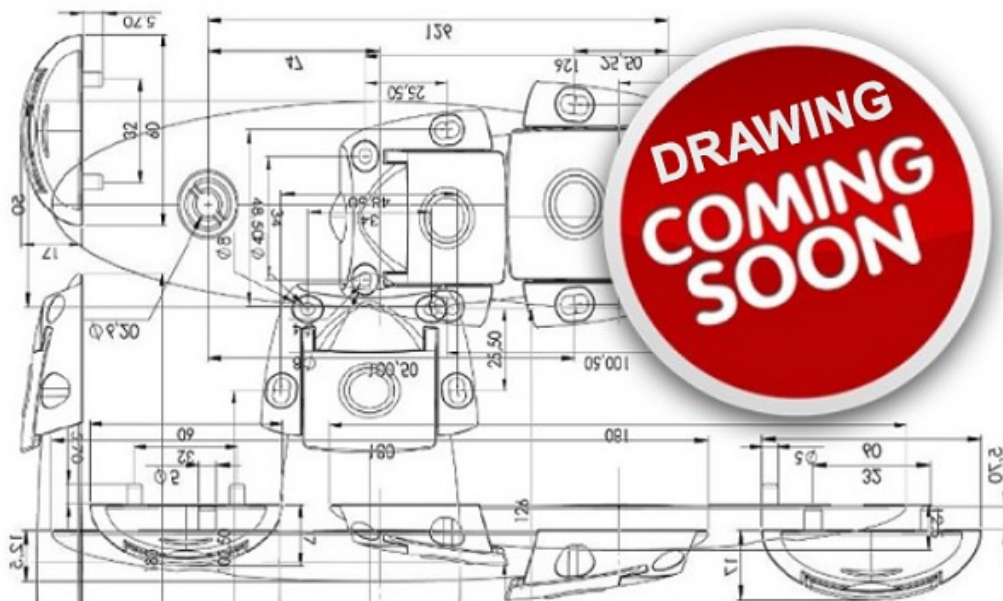
**Description:**

Aluminium Cover Cap CPL, F/Pin Door Hinge 3-D,  $\varnothing$ 16mm

**Item number:**

15.08.010-0

Units	Box	Carton	HS Code	Barcode
Pcs.	24	480	7616991099	 5704866055918



**SISO A/S**

Mileparken 11  
DK-2740 Skovlunde  
Denmark  
VAT: DK 24786013

Phone +45 45 830 900

[www.siso.dk](http://www.siso.dk)  
[siso@siso.dk](mailto:siso@siso.dk)

Danske Bank  
Nytorv Branch  
Copenhagen  
SWIFT: DABADKKK

Account no.  
4180 3112 112936  
IBAN Account  
DK7230003112112936